

CTSCH875DF Series

From 10 μH to 10,000 μH



CHARACTERISTICS

Description: Radial leaded fixed inductor

Applications: Magnetically shielded. High reliability, efficiency and saturation. Ideal for use as a power choke coil in switching power supply, TV sets, video appliances, and industrial equipment as well as use as a peaking coil in filtering applications

Inductance Tolerance: $\pm 10\%$, $\pm 15\%$

Testing: Tested on a HP4285A or HP4284A at specified frequency

Packaging: Bulk packaging

Rated Current: The rated D.C. current indicates the value of current when the inductance is 10% lower than its initial value at D.C. superposition or D.C. current when at $\Delta t=40^\circ\text{C}$ whichever is lower. ($T_a=20^\circ\text{C}$)

Miscellaneous: RoHS Compliant

Additional Information: Additional electrical & physical information available upon request

Samples available. See website for ordering information.

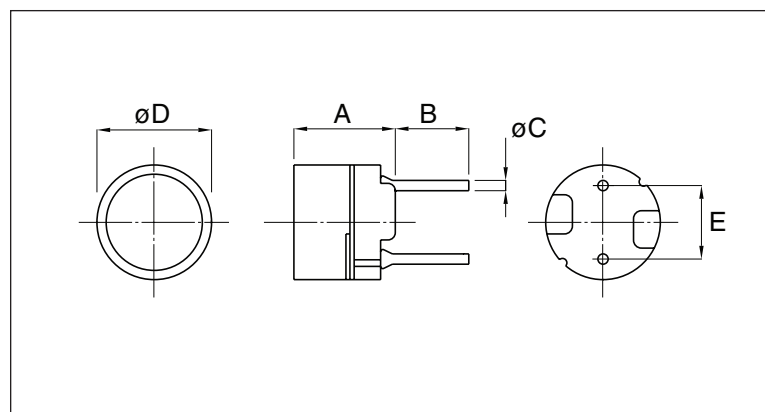
SPECIFICATIONS

Parts numbers indicate available inductance tolerance.
K = $\pm 10\%$, L = $\pm 15\%$

Part Number	Inductance (μH)	Test Freq. (Hz)	DCR Max. (Ω)	Rated DC (A)
CTSCH875DF-100L	10	2.52M	0.05	2.40
CTSCH875DF-220L	22	2.52M	0.08	1.60
CTSCH875DF-270L	27	2.52M	0.10	1.40
CTSCH875DF-330L	33	2.52M	0.14	1.30
CTSCH875DF-390L	39	2.52M	0.15	1.20
CTSCH875DF-470L	47	2.52M	0.17	1.10
CTSCH875DF-560L	56	2.52M	0.19	0.99
CTSCH875DF-680L	68	2.52M	0.21	0.89
CTSCH875DF-820L	82	2.52M	0.27	0.81
CTSCH875DF-101L	100	1.00k	0.32	0.74
CTSCH875DF-121K	120	1.00k	0.36	0.67
CTSCH875DF-151K	150	1.00k	0.51	0.60
CTSCH875DF-181K	180	1.00k	0.57	0.55
CTSCH875DF-221K	220	1.00k	0.76	0.50
CTSCH875DF-271K	270	1.00k	0.86	0.45
CTSCH875DF-331K	330	1.00k	0.97	0.41
CTSCH875DF-391K	390	1.00k	1.28	0.37
CTSCH875DF-471K	470	1.00k	1.44	0.34
CTSCH875DF-561K	560	1.00k	1.61	0.31
CTSCH875DF-681K	680	1.00k	2.07	0.28
CTSCH875DF-821K	820	1.00k	2.33	0.26
CTSCH875DF-102K	1000	1.00k	2.72	0.23
CTSCH875DF-122K	1200	1.00k	3.98	0.21
CTSCH875DF-152K	1500	1.00k	4.50	0.19
CTSCH875DF-182K	1800	1.00k	6.81	0.17
CTSCH875DF-222K	2200	1.00k	7.56	0.16
CTSCH875DF-272K	2700	1.00k	8.54	0.14
CTSCH875DF-332K	3300	1.00k	9.74	0.13
CTSCH875DF-392K	3900	1.00k	12.90	0.12
CTSCH875DF-472K	4700	1.00k	14.70	0.11
CTSCH875DF-562K	5600	1.00k	20.40	0.099
CTSCH875DF-682K	6800	1.00k	23.00	0.089
CTSCH875DF-822K	8200	1.00k	30.60	0.081
CTSCH875DF-103K	10000	1.00k	35.00	0.074

PHYSICAL DIMENSIONS

Size	A Max.	B	C	D	E
mm	7.5	5.0 \pm 1.0	0.7+0.1,-0.05	7.8 \pm 0.5	5.0 \pm 0.3
inches	0.3	0.20 \pm 0.04	0.027+0.004,-0.002	0.30 \pm 0.02	0.20 \pm 0.012



06.18.07